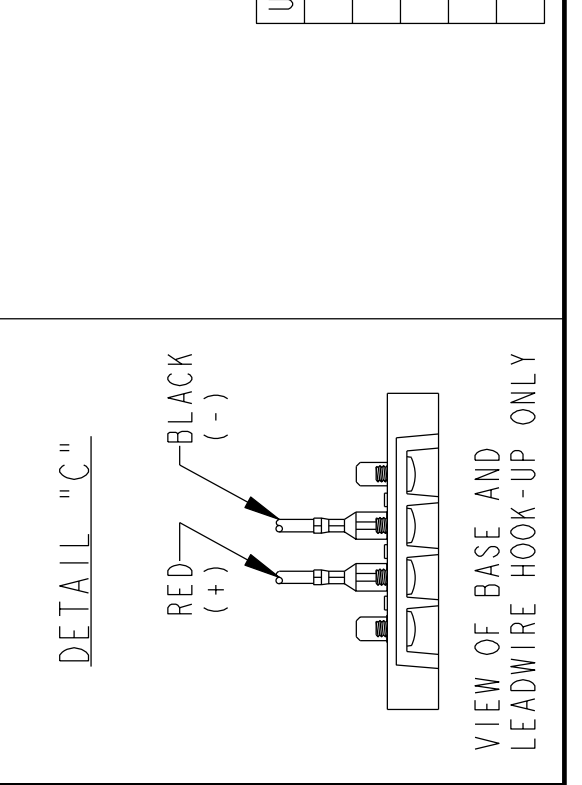
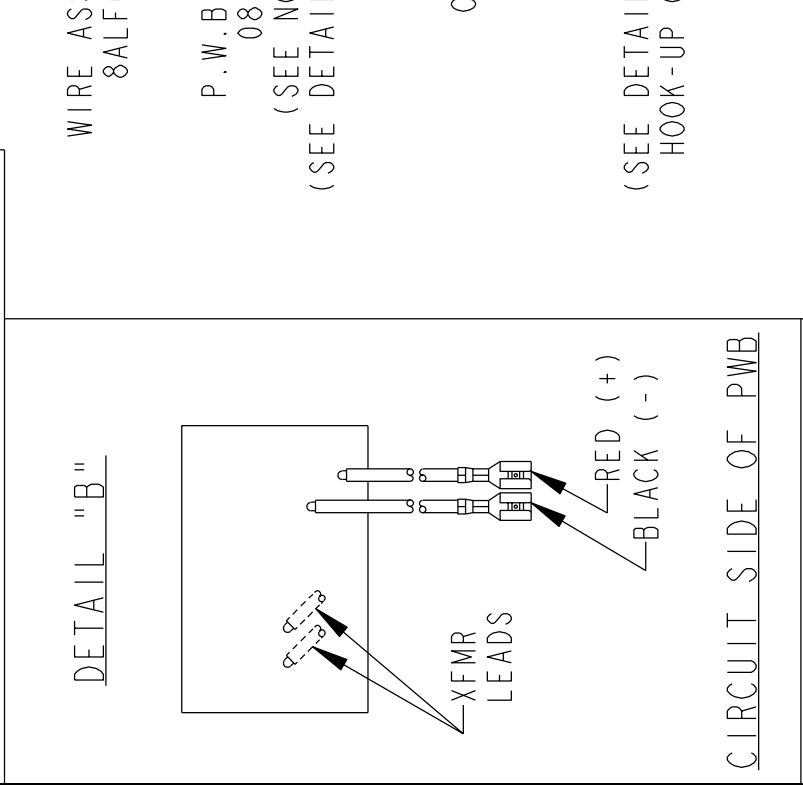
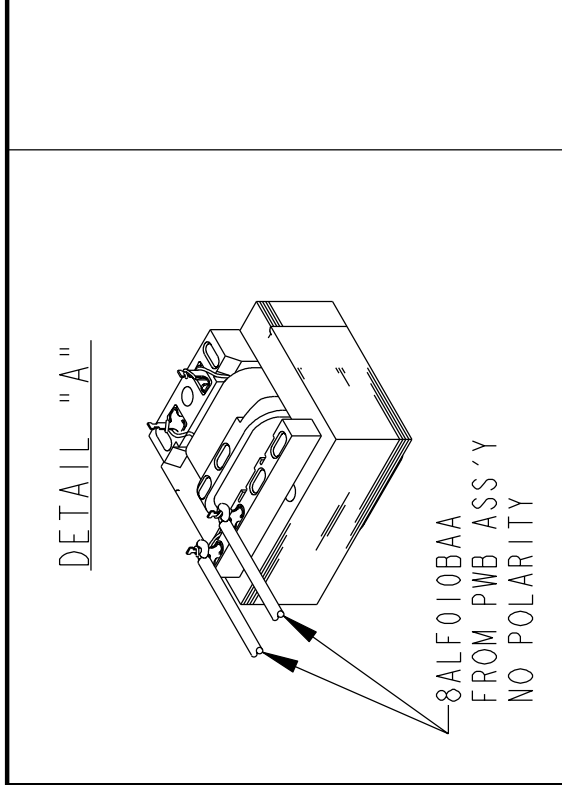
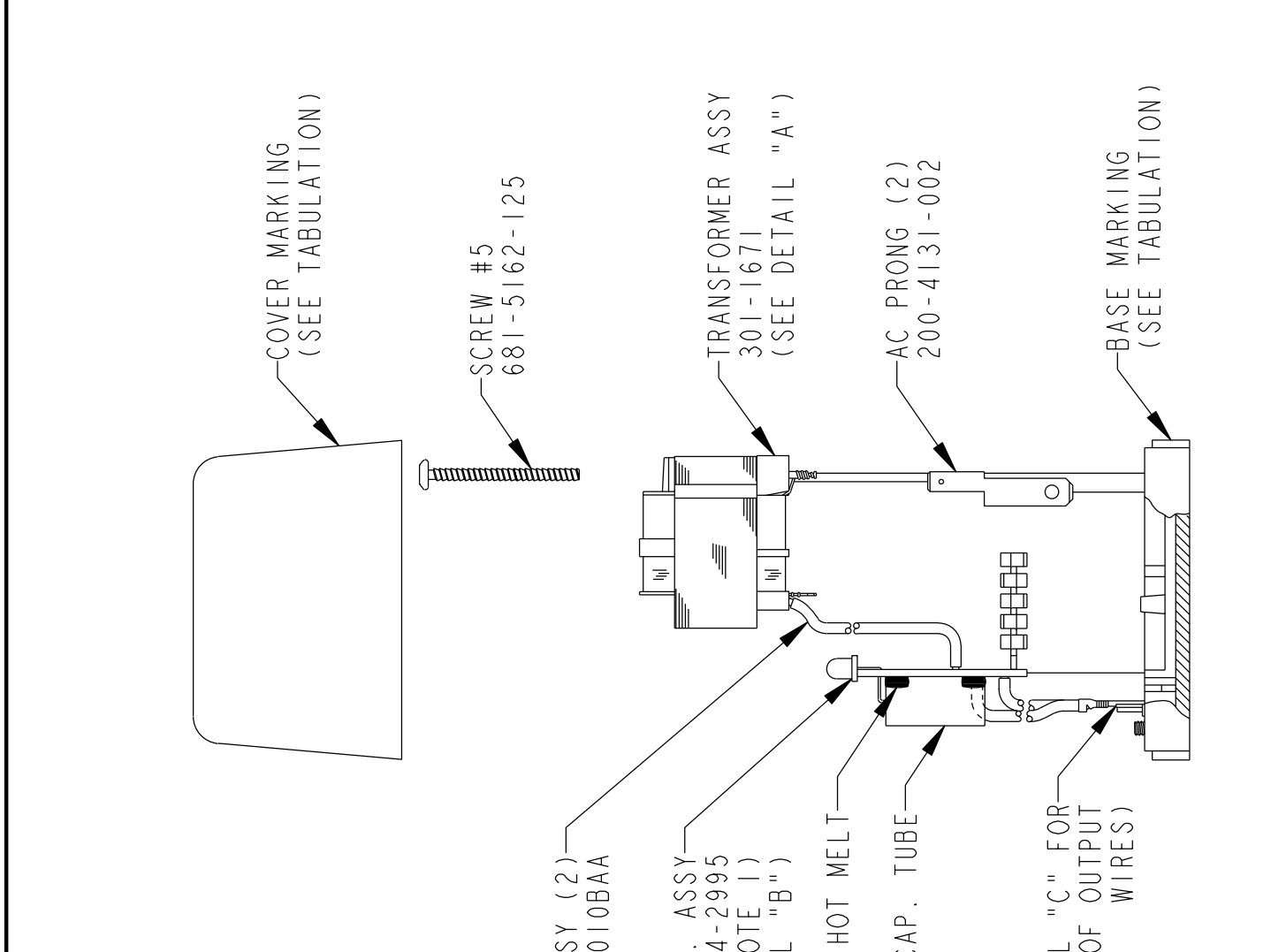


REVISIONS			
REV	DESCRIPTION	DATE	APPROVAL
B	REVISE AND REDRAW	6-19-89	96046 KDB
C	ADD P/N 5VA-06060-0N TO TAB	8-14-89	98088 RJM
D	ADD P/N 5VA-06060-0P TO TAB	10-24-91	91029 JL
E	PWB ASSY P/N WAS 080-2756	10-24-94	46033
F	ITEM 5VA-06060-00 CVR MKG P/N CHANGED	8-27-01	16542



NOTES:

1. NOT ALL COMPONENTS SHOWN ON CIRCUIT BOARD ASSEMBLY FOR CLARITY.
2. HOT MELT PWB TO BASE AND CAP AND TUBE TO PWB.
3. HOT MELT POTS AFTER SETTING AT PRETEST.

TOLERANCES UNLESS NOTED OTHERWISE	SUPPLEMENTARY INFORMATION FIRST USED		BATTERY CHARGER FINAL ASSEMBLY	AULT AULT INCORPORATED MINNEAPOLIS, MINNESOTA
	DO NOT SCALE DRAWING	DO NOT SCALE DRAWING		
.X ±.020	DRAWN BY M. HOVDE 27-Aug-01	DO NOT SCALE DRAWING	DRAWING NO.	
.XX ±.010	DESIGNER			
.XXX ±.005	AGENCY			
ANGLES ±.5°	ENGINEER			
	APPROVED			
			<b>5VA060600X</b>	<b>F</b>
			SCALE NONE	SHEET 1 OF 1

UNIT PART NO.	REV	BASE ASSY	COVER MARKING
5VA-06060-00	H	150-2072	150-2072
5VA-06060-02	G	150-1369	150-1380
5VA-06060-07	G	150-1557	150-1367
5VA-06060-0N	B	150-3967	150-1380
5VA-06060-0P	B	150-4579	150-4587